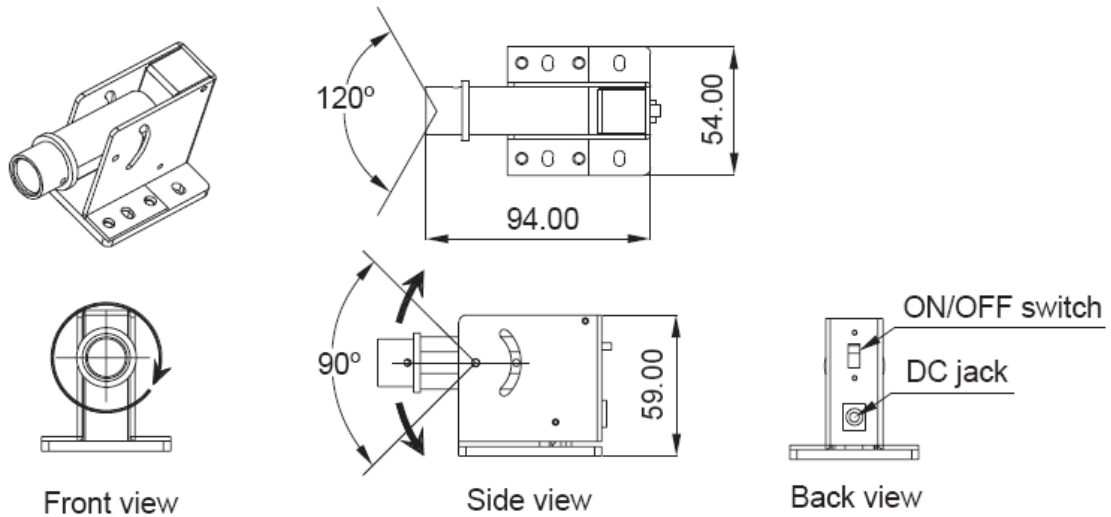


Quarton Laser Module

Part #VLM-ML100 (LINE GENERATOR)

Mechanical Dimensions (UNITS: mm)



SPECIFICATIONS:	VLM-ML100 (LINE GENERATOR)
Collimating Lens	Aspherical plastic
Cylindric lens	Quartz rod lens
Cw Output Power (Po)	$\leq 1\text{mW}$
Emitting angle	$> 120^\circ$
ESD Protection	15 KV
Laser Class / Applicable Countries	Class 2 / Europe, Japan, USA
Mean time to failure (MTTF) 3mW 25°	5,000 Hours
Operating Current (Iop)	$40 \pm 15 \text{ mA}$
Operating Voltage (Vop)	3.5~6V
Power Connection	Wire leads (2)
Laser line width	$\leq 2\text{mm}$ at 4m
Laser line accuracy	$< 0.01^\circ$ (40") at 4m
Dimensions(L x W x H)	94 x 54 x 59
Temperature Range - Operating	+5°C thru +40°C
Temperature Range - Storage	-20°C thru +60°C
Wavelength at peak emission (λ_p)	630~645nm
RoHS Compliant	Yes